

Slant/Fin®

CARAVAN®

Modular Boiler Submittal Data

LDWO SERIES — Oil-fired/Hot Water

A Caravan modular boiler system consists of two or more compact cast-iron boilers that offer significant advantages in terms of installed cost, efficiency and reliability. Caravan systems are based on step-firing just enough modules to meet hot water or space heating demands. LDWO systems are available in 602,000 to multi-million Btuh gross input. For additional information, see Caravan Engineering Manual, pub. C-30 and Caravan oil application guide, pub. CG-10-HWO.



Standard Equipment

One per module unless otherwise noted

- Pre-assembled cast-iron heat exchanger with built-in air separators and insulated jacket
- Swing-out/removable burner door
- Flame retention oil burner, with nozzle; cadmium sulfide flame detector
- Hi-limit control, auto reset
- Primary burner control
- System pressure and temperature gauge (unmounted)
- Module pressure and temperature gauge
- Module pressure relief valve (ASME) (unmounted) Specify 30, 50 or 100 psi.
- Draft regulator (unmounted)

- Control header (unmounted, one per system)
- Flue brush
- Module drain cock (unmounted)

Optional Equipment

- Hot water supply and return header assemblies
- Control panel with automatic lead lag

Ratings

Oil Caravan ratings hot water models - LDWO Series (100 psi maximum working pressure)

Model No.	No. of Heating Modules	Firing Rate #2 Oil GPH*	Ratings (MBH)		‡ EDR Water (Sq. Ft.)	AHRI Net Ratings (MBH)†	Boiler Horsepower	Water Content (gal.)	Ship Wt.	Recommended Header Size§	Thermal Eff %
			Input	Gross Output							
LDWO-600-2-5	2	4.30	602	500	2900	435	14.9	31.0	1570	2"	82.7
LDWO-750-2-6	2	5.20	728	596	3487	523	17.8	35.6	1790	2"	82.7
LDWO-850-2-7	2	6.00	840	711	4120	618	21.2	45.2	2000	3"	84.6
LDWO-900-3-5	3	6.40	896	750	4347	652	22.4	46.5	2355	3"	82.7
LDWO-1100-3-6	3	7.80	1092	903	5233	785	26.9	53.4	2685	3"	82.7
LDWO-1300-3-7	3	9.00	1260	1066	6180	927	31.8	67.8	3000	3"	84.6
LDWO-1700-4-7	4	12.00	1680	1421	8240	1236	42.4	90.4	4000	3"	84.6
LDWO-2100-5-7	5	15.00	2100	1777	10300	1545	53.0	113.0	5000	3"	84.6
LDWO-2500-6-7	6	18.00	2520	2132	12360	1854	63.7	135.6	6000	3"	84.6
LDWO-2900-7-7	7	21.00	2940	2487	14420	2163	74.3	158.2	7000	4"	84.6
LDWO-3400-8-7	8	24.00	3360	2843	16480	2472	84.9	180.8	8000	4"	84.6

* Light oil, 140,000 Btuh per gallon.

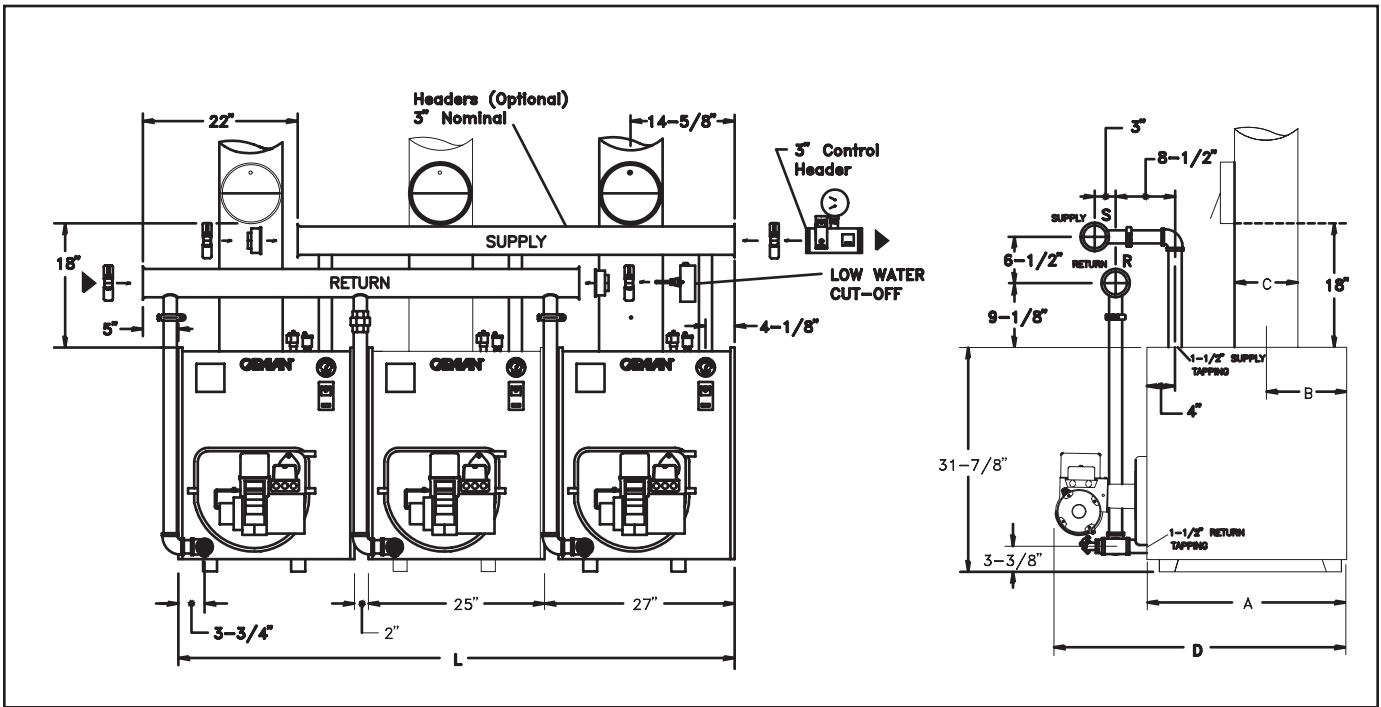
† Net ratings are based on a piping and pick-up allowance of 1.15. Slant/Fin should be consulted before selecting a boiler for installation having unusual piping and pick-up requirements.

‡ Based on 150 Btuh per square foot E.D.R. at 170°F average water temperature.

§ Modules in excess of 8 are piped in parallel to first eight.

For larger sizes, use multiples of the above.

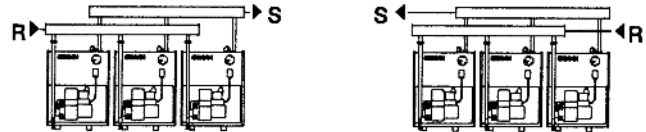
Dimensions



Model No.	A	B	C	D	L
LDWO-600-2-5	21 $\frac{1}{2}$ "	8 $\frac{1}{2}$ "	8"	34 $\frac{1}{2}$ "	4'4"
LDWO-750-2-6	25"	9 $\frac{29}{32}$ "	8"	37 $\frac{1}{4}$ "	4'4"
LDWO-850-2-7	28 $\frac{1}{2}$ "	11 $\frac{19}{32}$ "	9"	41 $\frac{1}{2}$ "	4'4"
LDWO-900-3-5	21 $\frac{1}{2}$ "	8 $\frac{1}{2}$ "	8"	34 $\frac{1}{2}$ "	6'7"
LDWO-1100-3-6	25"	9 $\frac{29}{32}$ "	8"	37 $\frac{1}{4}$ "	6'7"
LDWO-1300-3-7	28 $\frac{1}{2}$ "	11 $\frac{19}{32}$ "	9"	41 $\frac{1}{2}$ "	6'7"
LDWO-1700-4-7	28 $\frac{1}{2}$ "	11 $\frac{19}{32}$ "	9"	41 $\frac{1}{2}$ "	8'10"
LDWO-2100-5-7	28 $\frac{1}{2}$ "	11 $\frac{19}{32}$ "	9"	41 $\frac{1}{2}$ "	11'1"
LDWO-2500-6-7	28 $\frac{1}{2}$ "	11 $\frac{19}{32}$ "	9"	41 $\frac{1}{2}$ "	13'4"
LDWO-2900-7-7	28 $\frac{1}{2}$ "	11 $\frac{19}{32}$ "	9"	41 $\frac{1}{2}$ "	15'7"
LDWO-3400-8-7	28 $\frac{1}{2}$ "	11 $\frac{19}{32}$ "	9"	41 $\frac{1}{2}$ "	17'10"

Note: Standard boiler unit prefix is LDWO.

System Piping, Connection Diagrams



Design Data

Max. ASME Working Pressure: 100 psi
 Power Requirements: 120 V/60 HZ,
 Amp(s) per module:
 For Carlin burners 6.0
 For Wayne burners 7.7

©Slant/Fin Corp. 2014. Printed in the U.S.A. 1114. Publication No. C-10-MO

Slant/Fin®

SLANT/FIN CORPORATION, Greenvale, N.Y. 11548 • Phone: (516) 484-2600
 FAX: (516) 484-5921 • Canada: Slant/Fin LTD/LTEE, Mississauga, Ontario

www.slantfin.com