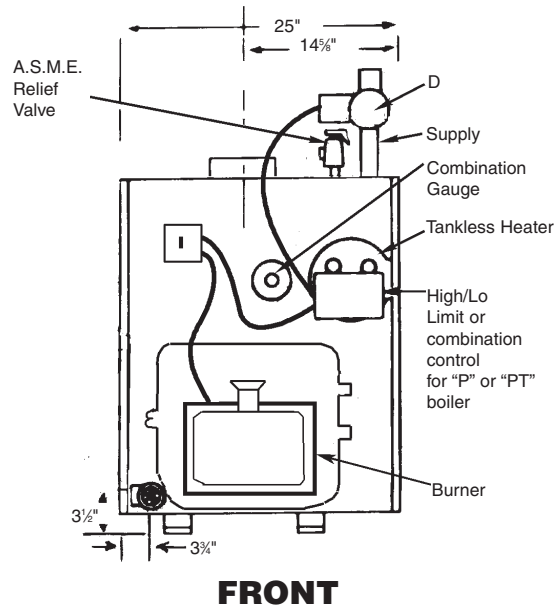
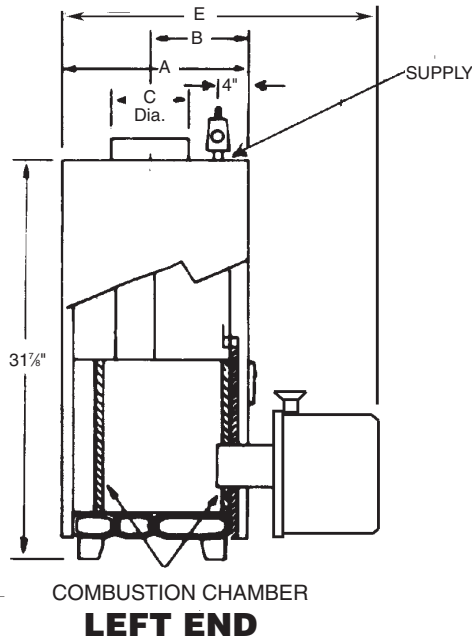




# DIMENSIONS – OIL BOILERS

## INTREPID TRDV SERIES

### DIRECT VENT



Boiler Model	Dimensions (inches)					
	Boiler Length "A"	Front to Flue "B"	Flue Dia. "C"	Circulator Flange "D"	Overall Length "E"	Boiler Sect
TRDV-30-0.85	14 <sup>7</sup> / <sub>8</sub> "	10 <sup>1</sup> / <sub>16</sub> "	6"	1 <sup>1</sup> / <sub>4</sub> "	27 <sup>5</sup> / <sub>8</sub> "	3
TRDV-30-1.00	14 <sup>7</sup> / <sub>8</sub> "	10 <sup>1</sup> / <sub>16</sub> "	6"	1 <sup>1</sup> / <sub>4</sub> "	27 <sup>5</sup> / <sub>8</sub> "	3
TRDV-30-1.10	14 <sup>7</sup> / <sub>8</sub> "	10 <sup>1</sup> / <sub>16</sub> "	6"	1 <sup>1</sup> / <sub>4</sub> "	27 <sup>5</sup> / <sub>8</sub> "	3