

Slant/Fin® Jaguar CARAVAN



J-390C Series - Multiple Boiler Submittal Data

A Jaguar Caravan multiple boiler system consists of two or more modulating condensing boilers that offer significant advantages in terms of efficiency, reliability and installed cost. Jaguar Caravan systems are step fired modulating condensing boilers that deliver just enough heat energy to satisfy the heating demand. Jaguar Caravans are available in 390,000 to multi-million Btuh inputs. See Jaguar Application Guide (CJ-10-HWG) for application information.

Standard Equipment

- High Efficiency 3.5:1 modulation
- Pre-assembled cast aluminum mono block ASME heat exchanger, 60 PSI maximum working pressure
- Sealed combustion operation
- Intergrated boiler control with outdoor reset, modulating combustion, and built-in diagnostics with display
- Control has built-in cascade feature (up to 8 boilers) or 0-10 Vdc BMS ability
- Outdoor temperature sensor
- Pre-mix woven metal pre-mix burner
- Blower, gas valve and venturi
- Direct spark ignition
- Built-in condensate traps for heat exchanger and also exhaust vent
- Pressure relief valve ASME (30 PSI or 50 PSI)
- Drain valve
- High head circulator for primary loop - (Taco 2400-20)
- Vent and air intake terminal
- Low NOx
- Natural Gas Fired



90.2% Thermal Efficiency

Optional Equipment

- Manual re-set high limit
- Manual re-set low water cut-off
- Jaguar link cascade use requires optional supply water sensor - one per system
- 0-10 Vdc BMS requires optional interface control - one per boiler

Jaguar Caravan Ratings

Model No.	Consists of		CSA Input (MBH)		Gross output (MBH)		AHRI Net (MBH)		Thermal Efficiency		Turndown Ratio
	No. of Htg. Boiler	Boiler Model No.	Max	Min	Max	Min	Max	Min	Max	Min	
J-390C 1B	1	J-390C	399	110	352	106	306	92	90.2	96.1	3.5 to 1
J-390C 2B	2	J-390C	780	110	704	106	612	92	91.6	96.7	7 to 1
J-390C 3B	3	J-390C	1170	110	1056	106	918	92	91.6	96.7	10.6 to 1
J-390C 4B	4	J-390C	1560	110	1408	106	1224	92	91.6	96.7	14.2 to 1
J-390C 5B	5	J-390C	1950	110	1760	106	1530	92	91.6	96.7	17.7 to 1
J-390C 6B	6	J-390C	2340	110	2112	106	1836	92	91.6	96.7	21.3 to 1
J-390C 7B	7	J-390C	2730	110	2464	106	2142	92	91.6	96.7	24.8 to 1
J-390C 8B	8	J-390C	3120	110	2816	106	2448	92	91.6	96.7	28.4 to 1

† Net ratings are based on piping and pick-up allowance of 1.15. Slant/Fin should be consulted before selecting a boiler for installation having unusual piping and/or pick-up requirements.

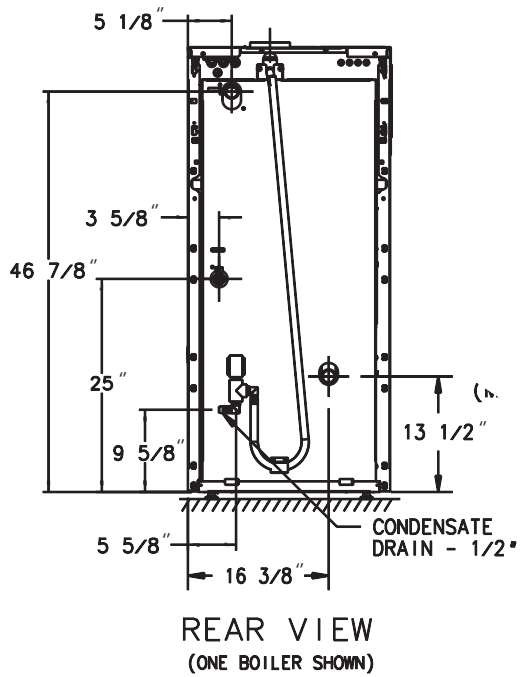
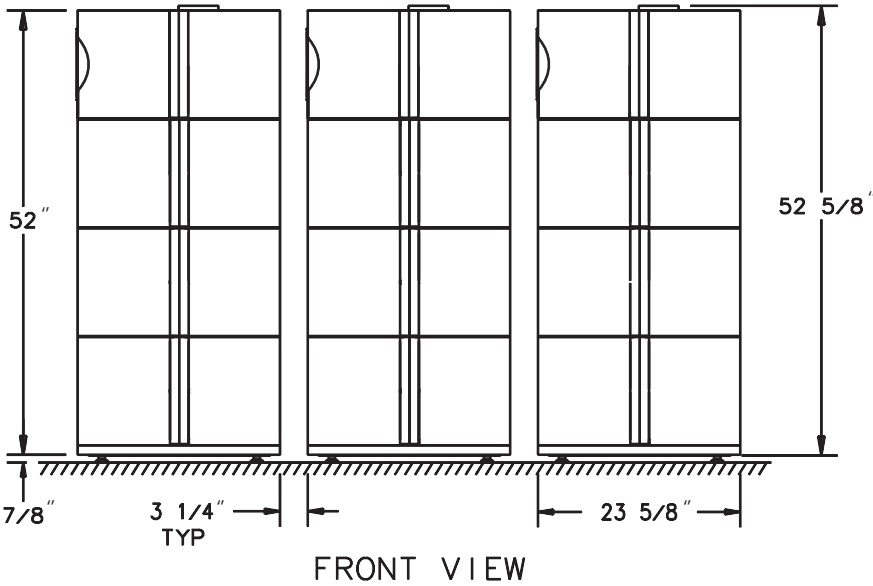
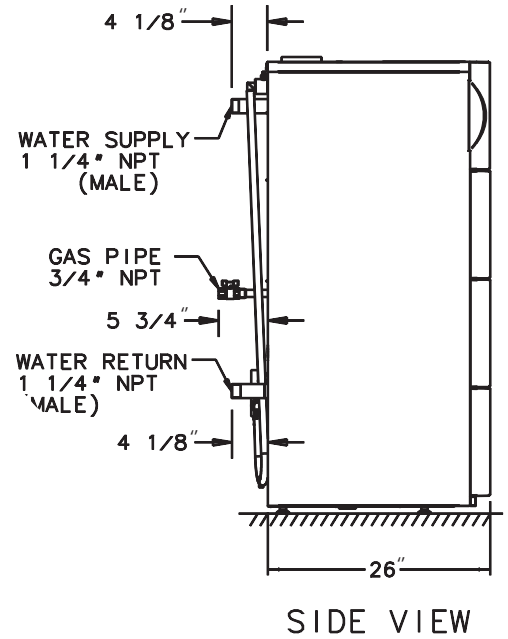
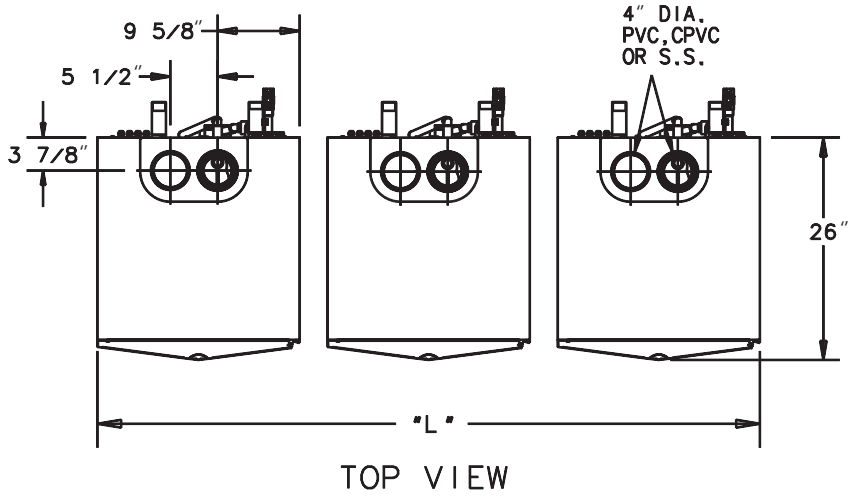
Water content per boiler - 2 gallons
Shipping weight per boiler (dry) - 190 pounds

Boiler Pressure Drop

Flow Rate (gpm)	Temp Rise (°F)	Boiler Head Loss (Feet w.c.)
28.0	25°	16
23.5	30°	11.5
20.0	35°	8.5
17.5*	40°	7.0

* Minimum flow rate recommended.

Dimensions



No. of Boilers	Model No.	"L" inches
1	J-390C 1B	23-5/8
2	J-390C 2B	50-1/2
3	J-390C 3B	77-3/8
4	J-390C 4B	104-1/4
5	J-390C 5B	131-1/8
6	J-390C 6B	158
7	J-390C 7B	184-7/8
8	J-390C 8B	211-3/4

BOILER DESIGN DATA

- Max. ASME Working Pressure: 50 PSI
- Power Requirements
120 Volts, 60 Hz, 1 Phase
- 1.6 Amps per module, not including primary circulator