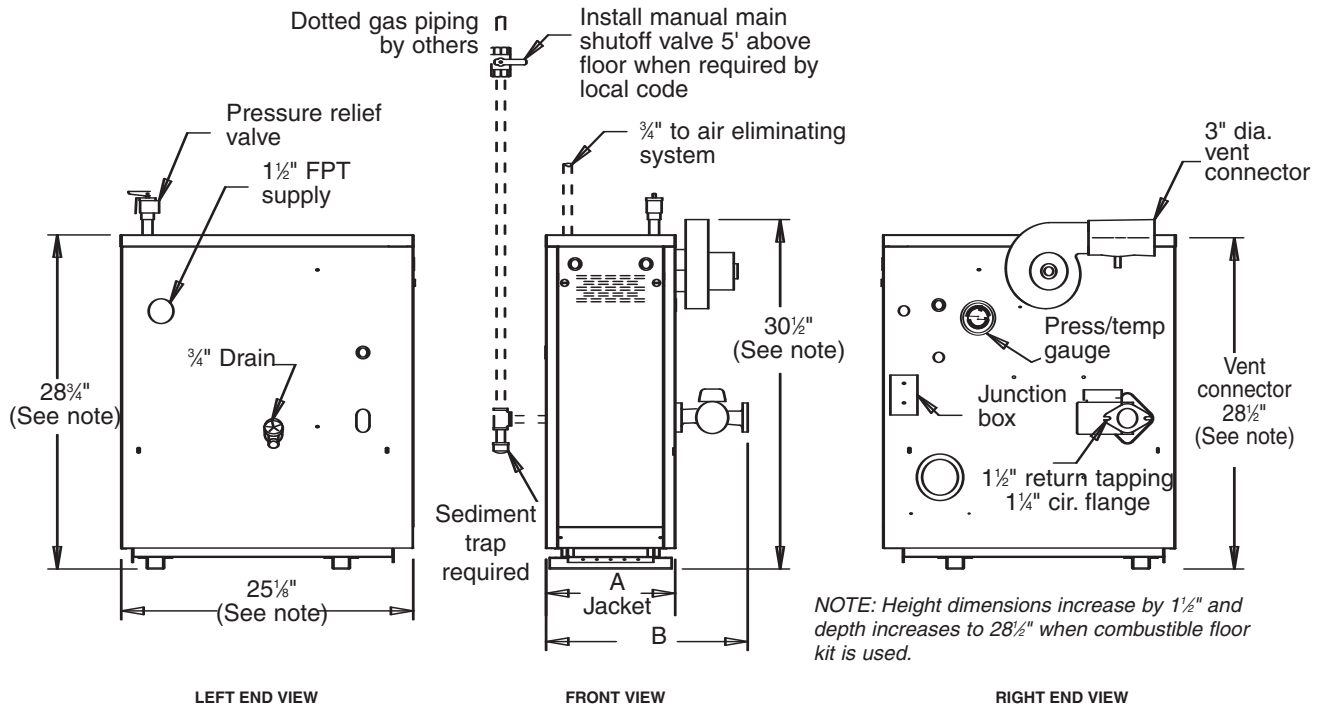




DIMENSIONS – GAS BOILERS

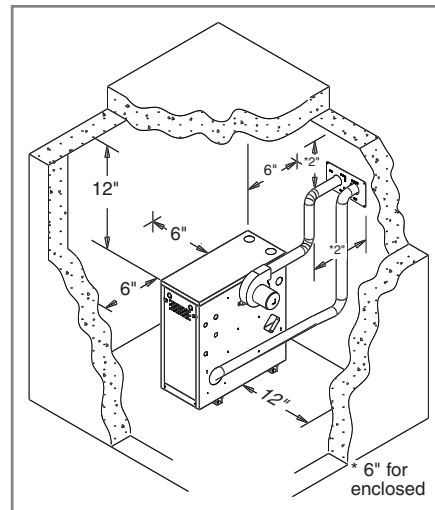
VICTORY VSPH SERIES



Dimensions	VSPH-60	VSPH-90	VSPH-120	VSPH-150	VSPH-180
"A"	11 $\frac{1}{8}$ "	14 $\frac{1}{8}$ "	17 $\frac{1}{8}$ "	20 $\frac{1}{8}$ "	23 $\frac{1}{8}$ "
"B"	17 $\frac{3}{8}$ "	20 $\frac{3}{8}$ "	23 $\frac{3}{8}$ "	26 $\frac{3}{8}$ "	29 $\frac{3}{8}$ "

Supply water tapping	1 $\frac{1}{2}$ "
Circulator return flange*	1 $\frac{1}{4}$ "
Gas tapping, natural or propane	$\frac{1}{2}$ "

▲ AL 29-4C is a registered trademark of Allegheny Ludlum Corp.
 *When not equipped with circulator, boiler 1 $\frac{1}{2}$ " return tapping.



Minimum clearance dimensions