

Slant/Fin®

BOBCAT

Modulating Condensing Gas Boiler

Boiler Replacement Parts List

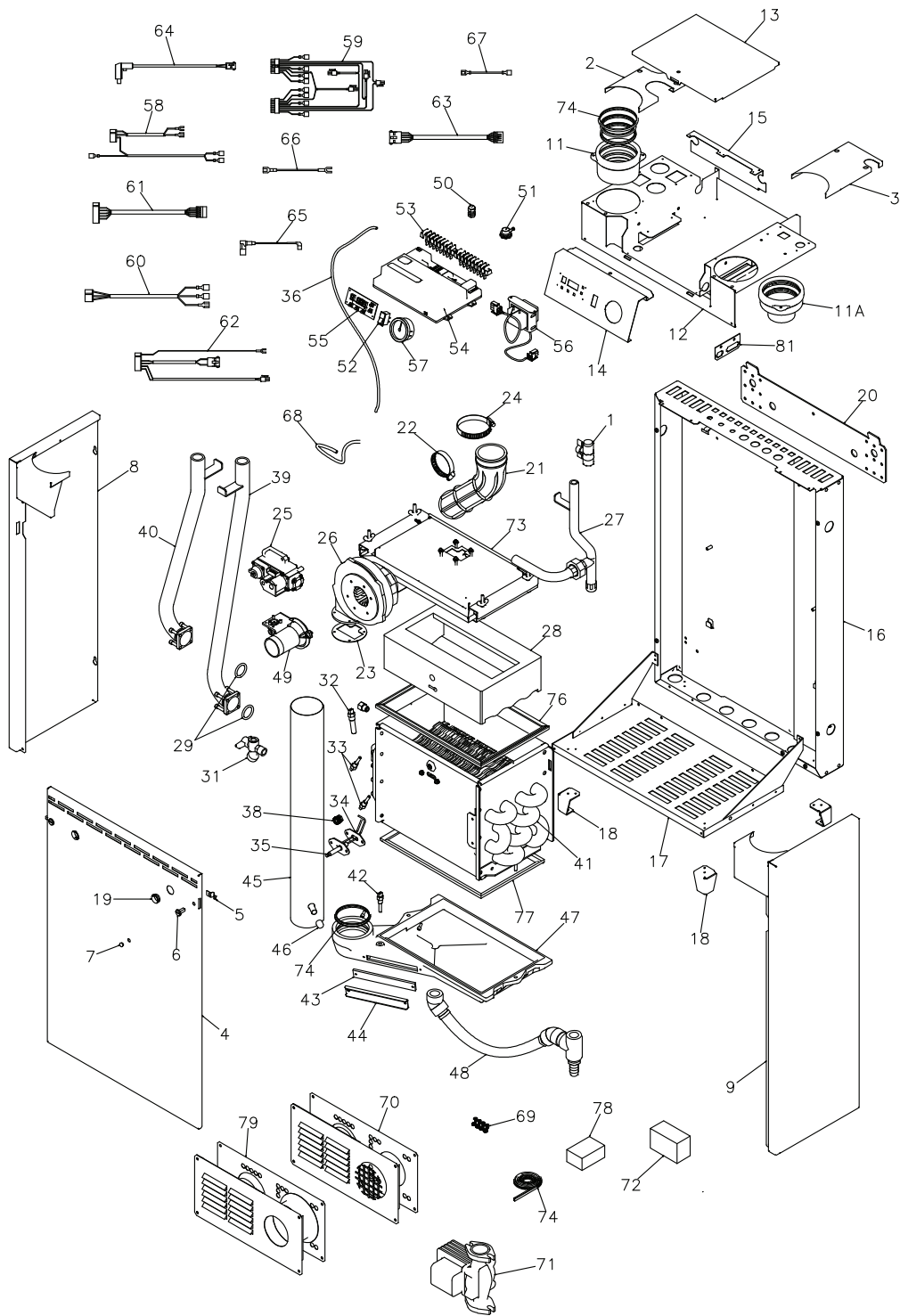


This parts list must be left with owner, hung on or adjacent to the boiler. Owner should retain parts list for future reference.

Item No.	Description	B-120-A	B-200-A
1	GAS SHUT OFF VALVE	86 3803 000	86 3803 000
2	JACKET - LEFT TOP COVER	86 1101 000	86 1101 000
3	JACKET - RIGHT TOP COVER	86 1136 000	86 1136 000
4	JACKET FRONT ASSEMBLY	86 0102 000	86 0152 000
5	1/4 TURN PAWL LATCH	00 5075 000	00 5075 000
6	1/4 LATCH PAWL LATCH SLOTTED STUD	00 5074 000	00 5074 000
7	JACKET VIEW WINDOW PLUG	86 3105 000	86 3105 000
8	JACKET LEFT - ASSEMBLY	86 0134 000	86 0184 000
9	JACKET RIGHT- ASSEMBLY	86 0104 000	86 0154 000
11	FLUE COLLAR ASSEMBLY	86 0106 000	86 0106 000
11a	AIR INTAKE COLLAR ASSEMBLY	86 0118 000	86 0118 000
12	MAIN FRAM WELDED ASSEMBLY	86 0137 000	86 0187 000
13	TOP COVER	86 1115 000	86 1165 000
14	FRONT PANEL ASSEMBLY	86 0112 000	86 0162 000
15	TERMINAL BRACKET	86 1132 000	86 1132 000
16	REAR FRAME SUBASSEMBLY	86 0111 000	86 0161 000
17	REAR BOTTOM SUBASSEMBLY	86 0113 000	86 0163 000
18	BOILER LEGS PACKAGE (PACKAGE OF 4)	86 6915 000	86 6915 000
19	SNAP BUSHING	50 0385 000	50 0385 000
20	WALL BRACKET	86 1128 000	86 1178 000
21	AIR INTAKE HOSE	86 3222 000	86 3222 000
22	WORM DRIVE CLAMPS 2 1/2" DIA	86 3211 000	86 3211 000
23	BLOWER GASKET	86 3204 000	86 3254 000
24	WORM DRIVE CLAMPS 3 1/2" DIA	86 3205 000	86 3205 000
25	GAS VALVE (WITH FLANGE)	86 3208 000	86 3208 000
26	BLOWER	86 3215 000	86 3265 000
27	GAS PIPE ASSEMBLY	86 0211 000	86 0256 000
28	COMBUSTION CHAMBER	86 3301 000	86 3351 000
29	O-RING 1.102 x 0.177 - 70EP	86 3401 000	86 3401 000
31	DRAIN VALVE 1/2"	86 3495 000	86 3495 000
32	WATER HIGH LIMIT	86 3404 000	86 3404 000
33	WATER SENSOR	86 3406 000	86 3406 000
34	SPARK IGNITOR GASKET	86 3407 000	86 3407 000
35	SPARK IGNITOR	86 3408 010	86 3408 010
36	HELICAL BUNDLING WRAP (FOR SPARK CABLE)	86 3608 000	86 3608 000
38	OBSERVATION WINDOW (SIGHT GLASS)	86 3433 000	86 3433 000
39	RETURN PIPE- WELDED ASSEMBLY	86 3435 000	86 3485 000
40	SUPPLY PIPE - WELDED ASSEMBLY	86 3442 000	86 3492 000
41	HEAT EXCHANGER ASSEMBLY	86 0406 000	86 0456 000
42	FLUE SENSOR	86 3501 000	86 3501 000
43	FLUE COLLECTOR CLEANING ACCESS DOOR SEALING	86 3503 000	86 3503 000
44	FLUE COLLECTOR CLEANING ACCESS DOOR	86 1501 000	86 1501 000
45	FLUE PIPE	86 3502 000	86 3552 000
46	CAP	86 3505 000	86 3505 000
47	FLUE COLLECTOR	86 3504 000	86 3554 000
48	CONDENSATION DRAIN PIPE - ASSEMBLY	86 0502 000	86 0552 000
49	HONEYWELL VENTURI	86 3209 000	86 3259 000
50	HEYCO -TITE LIQUID TIGHT STRAIGHT THRU CORDGRIPS, RLTCG 7 (SMALL SIZE)	86 3602 000	86 3602 000
51	3/8" STRAIGHT BX CONNECTOR	40 0309 000	40 0309 000
52	ON/OFF SWITCH	86 2601 000	86 2601 000
53	TERMINAL BLOCKS 8,	86 2603 000	86 2603 000
54	CONTROL BOARD WITH COVER	84 2610 000	86 2605 000
55	LED DISPLAY - ASSEMBLY	83 2606 000	83 2606 000
56	TRANSFORMER 24V, HONEYWELL 140B1297	66 0528 000	66 0528 000
57	PRESSURE GAUGE (INCL. CHECK VALVE)	86 3611 000	86 3611 000
58	J2 CONNECTOR HARNESS (FOR ON/OFF SWITCH, GROUND TERMINAL)	86 2107 000	86 2107 000
59	J5 CONNECTOR HARNESS (FOR WATER AND FLUE SENSORS, THERMOSTATS AND L.W.C.O. CONNECTION)	86 2103 000	86 2103 000
60	J6 CONNECTOR HARNESS (FOR BOILER LOOP AND DHW CIRCULATORS CONNECTION)	86 2105 000	86 2105 000
61	J9 CONNECTOR HARNESS (FOR COMBUSTION BLOWER CONNECTION - CONTROL SIDE)	86 2106 000	86 2106 000
62	J13 CONNECTOR HARNESS (FOR GAS VALVE TRANSFORMER AND GROUND, WATER HIGH LIMIT CONNECTION)	86 2108 000	86 2108 000
63	BLOWER CONNECTOR HARNESS	86 2109 000	86 2109 000
64	GAS VALVE CABLE	86 2104 000	86 2104 000
65	SPARK CABLE	86 2101 100	86 2101 100
66	GROUND WIRE	86 2100 000	86 2100 000
67	CIRCULATOR NEUTRAL JUMPER	86 2110 000	86 2110 000
68	REFERENCE PRESSURE TUBE	86 3225 000	86 3225 000
69	SCREW PACKAGE	86 6914 000	86 6914 000
70	VENT/AIR INTAKE TERMINATION KIT (FOR PVC VENTING)	86 0802 000	86 0802 000
71	CIRCULATOR TACO	86 3804 000	86 3806 000
72	SAFETY RELIEF VALVE	65 0550 000	65 0550 000
73	BURNER REPLACEMENT ASSEMBLY	86 0935 000	86 0985 000
74	SEALING - EZ SEAL (70" LONG STRIP FOR AIR INTAKE AND FLUE PIPE)	86 6911 000	86 6911 000
76	AIRBOX GASKET	86 3409 000	86 3459 000
77	FLUE COLLECTOR GASKET	86 3424 000	86 3474 000
78	OUTDOOR SENSOR KIT (12 kOhm)	86 3805 000	86 3805 000
79	VENT/AIR INTAKE TERMINATION HORIZ. MOUNTING ASSY (FOR STAINLESS STEEL VENTING)	45 1138 000	45 1138 000
81	CONNECTOR BRACKET	86 1212 000	86 1212 000

When ordering replacement parts: specify the model number, serial number and gas by name (natural or propane).
For replacement parts, heating contractors should contact their Slant/Fin boiler distributor.

PUBLICATION: BA-10PL
Printed in U.S.A. 910
Part No. 86-5758000



OPTIONAL VENT SYSTEM PARTS

3" Diameter Heat-Fab Saf-T EZ Seal venting system (AL29-4C † stainless steel)

©Slant/Fin Corp. 2010.

Description	Part No.	Heat-Fab EZ Seal Part No.
6" long vent pipe	45 5020 000	9301
12" long vent pipe	45 5021 000	9302
18" long vent pipe	45 5022 000	9304
24" long vent pipe	45 5023 000	9305
37 1/2" long vent pipe	45 5024 000	9307
Elbow termination with screen	44 0678 000	7314TERM
Support, 6" clearance	44 0679 000	7323GCC
Support, 2" clearance	44 0692 000	7323GC2
Support clamp	44 0680 000	4327SS
45° elbow	45 5017 000	9311

Description	Part No.	Heat-Fab EZ Seal Part No.
90° elbow, standard radius	45 5019 000	9314LR
TEE termination with screen	44 0683 000	7390TEE
Vent/air intake Termination for S.S.		
S.S. Venting system	84 0804 000	
Slip joint connector (6"-19")	45 5025 000	9324
Fire stop	44 0685 000	5318CI
90° elbow, tight radius	45 5018 000	9314
Wall thimble * (5"-8" Wall)	44 0695 000	
Straight termination with screen	66 0548 000	7392GC

† : AL 29-4C is registered trademark of Allegheny Ludium Corp.

* : Must be used with slip joint connection



SLANT/FIN CORPORATION, Greenvale, N.Y. 11548 • Phone: (516) 484-2600
 FAX: (516) 484-5921 • Canada: Slant/Fin LTD/LTEE, Mississauga, Ontario

www.slantfin.com