

# Slant/Fin®

# CONCEPT 21™

## CB SERIES

Gas-fired • Sealed Combustion

Cast-iron • Hot water boilers

## BOILER REPLACEMENT PARTS LIST

When ordering replacement parts, specify the boiler model number, serial number and gas by name (natural or propane). For replacement parts, heating contractors should contact their Slant/Fin boiler distributor.

Ref	Description	CB-45	CB-90	CB-135	CB-180
1	Gas Valve-RS7200 Dern	660520	660520	660520	660520
2	Combustion Blower	660527	660527	660527	660527
3†	Electronic Control-U.T.1013-12	660589	660589	660589	660589
4	Circulator Pump-Taco 007	660561	660561	660561	660561
4A	Circulator Pump-Grundfos UP15-42F	660562	660562	660562	660562
4B	Circulator Pump-B&G NRF-22	660564	660564	660564	660564
5	Air Press. Switch (Standard, .12" set)	651302	651302	651302	651302
5A	Air Press. Switch (Cat. I, .50" set)	660591	660591	660591	660591
6	24 Volt Transformer	660528	660528	660528	660528
7	Water High Limit	410699	410699	410699	410699
8	High Limit Well	660507	660507	660507	660507
9	Secondary High Limit (optional)	660524	660524	660524	660524
10	Temperature/Pressure Gauge	910373061	910373061	910373061	910373061
11	Pressure Relief Valve (30 psi)	650550	650550	650550	650550
12	Automatic Air Vent	410547	410547	410547	410547
13	Blower Connector Hose	660510350	66051045	660510525	660510625
14*	Hot Surface Ignitor	660720	660720	660720	660720
14A*	Hot Surface Ignitor Hold-down	660276	660276	660276	660276
14B*	Ignitor Guide Assembly	665038	665038	665038	665038
14C*	Ignitor Perforated Shield	660721	660721	660721	660721
15	Flame Detector	660501	660501	660501	660501
15A	Flame Detector Bracket	660161	660161	660161	660161
15B	Flame Detector Seal	660439	660439	660439	660439
16	Silicone Tubing 1/8" I.D. x 26" long	660598026	660598026	660598026	660598026
19	Thermostat Terminal Block	660523	660523	660523	660523
20	Water Outlet Manifold	660005	660005	660005	660005
21	Air Pressure Service Fitting	660529	660529	660529	660529
22	Gas Pressure Service Fitting	660530	660530	660530	660530
23	Clear Tubing 1/8" I.D. x 8" long	660531	660531	660531	660531
24	Clear Tubing 3/16" I.D. x 8" long	660532	660532	660532	660532
28	Flame Sensor Harness	660660	660660	660660	660660
29	Safety Circuit 9 Pin Harness	660650	660650	660650	660650
30	Power Supply Harness	660652	660652	660652	660652
31	Circulator Board Harness	660653	660653	660653	660653
32	Circulator External Harness	660655	660655	660655	660655
33	Air Filter Box Assembly	665007	665007	665007	665007
34	Air Filter 10" x 12"	660515	660515	660515	660515

\*Special Note on Reference Item #14: This Hot Surface Ignitor part number is only for use with Concept 21 boilers which incorporate an air-cooled ignitor guide and perforated shield. Refer to identification label above ignitor on boiler.

†For replacing the Ram Electronics control on older model boilers, contact Slant/Fin Technical Service Department for the U.T. 1013-12 control kit available.

**This parts list must be left with owner, hung on or adjacent to the boiler. Owner should retain parts list for future reference.**

**PUBLICATION CB-10PL**

Part No. 66-1003

Rev. G

Ref	Description	CB-45	CB-90	CB-135	CB-180
35	Air Orifice Adapter	660031	660031	660031	660031
36	Air Orifice Plate*	660191	660192	660193	660194
37	Air Orifice Gasket	660410	660410	660410	660410
38	Burner Enclosure	660021	660022	660023	660024
39	Barbed Fitting - 3/16" tube x 1/8" NPT	650600	650600	650600	650600
40	Barbed Fitting - 1/8" tube x 10-32	660596	660596	660596	660596
41	Burner Enclosure Seal	660441041	660441044	660441047	660441050
42	Burner Thumb Nut	660608	660608	660608	660608
43	Burner Hold-down Spring	650512	650512	650512	650512
44	Burner Ground Wire	660654	660654	660654	660654
45	Burner Compression Bracket	665101	665102	665103	665104
46	Ceramic Burner	660511	660512	660513	660514
47	Burner Ground Strip	660503	660503	660503	660503
48	Burner Seal Gasket	660431	660432	660433	660434
49	Gas Tube	660179	660179	660179	660179
50	3/4 NPT Gas Manifold Pipe	660536	660537	660538	660538
51	3/4 Angle Flange	660032	660032	660032	660032
52	3/4 Straight Flange	660033	660033	660033	660033
53	Convertible Gas Orifice Plate*	660181	660182	660183	660184
54	Socket Head Screw 8-32 x 2-1/4"	660631	660631	660631	660631
54	Socket Head Screw 8-32 x 1-1/2"	660632	660632	660632	660632
55	8-32 Hex Nut	650668	650668	650668	650668
60	Floor Rail	660201	660202	660203	660204
61	Casting Support Leg	660261	660262	660263	660264
62	Leg Support Bracket	660205	660205	660205	660205
63	Tray	660168	660168	660168	660168
64	Jacket Support Bracket	660251	660252	660253	660254
65	Enclosure Top Cover	660131	660132	660133	660134
66	Boiler Jacket Top Panel	660231	660232	660233	660234
67	Boiler Jacket Rear Panel	660217	660217	660217	660217
68	Boiler Jacket Front Panel	660216	660216	660216	660216
69	Boiler Jacket Left (Front) Side Panel	660226	660226	660226	660226
70	Boiler Jacket Left (Back) Side Panel	660221	660222	660223	660224
71	Boiler Jacket Right Side Panel	660211	660212	660213	660214
72	1/4 Turn Pawl Latch	005075	005075	005075	005075
72A	1/4 Turn Slotted Stud	110028	110028	110028	110028
73	Air Inlet Cover Plate	660235	660235	660235	660235

\* Special Note on Reference Items #36 and #53:

The parts which incorporate this revised orificing design feature a gas orifice plate which contains both the natural gas and the propane gas orifice hole. This design allows for built-in gas conversion ease and can be identified by a label on the left side jacket panel which describes the convertible gas orifice. For the original design orifice plate, which contains both the air and gas orifice hole, refer to the chart below.

Description	CB-45	CB-90	CB-135	CB-180
Air/Gas Orifice Plate - Nat. Gas	660171	660172	660173	660174
Air/Gas Orifice Plate - Propane	660175	660176	660177	660178

**Optional Boiler Calibration Equipment:**

Calibration Gage Kit . . .665185 . . . .0 to 1" gage on stand with tubing and service fitting adapters.

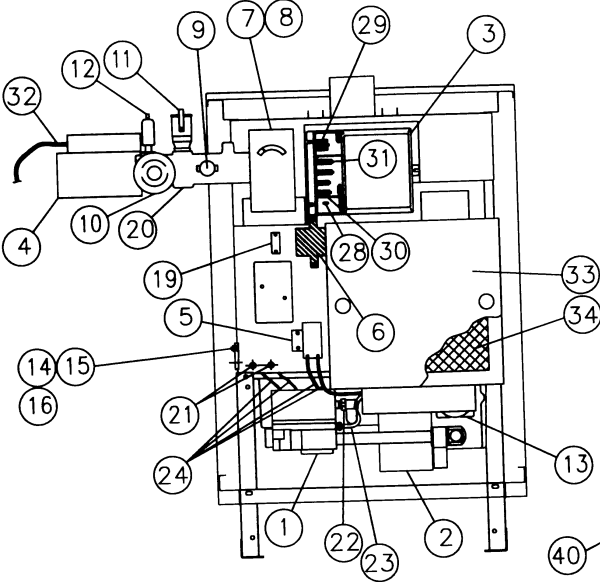
Service Fitting Adapter .660533 . . . .for gages with 3/16" I.D. tubing.

# CONCEPT 21

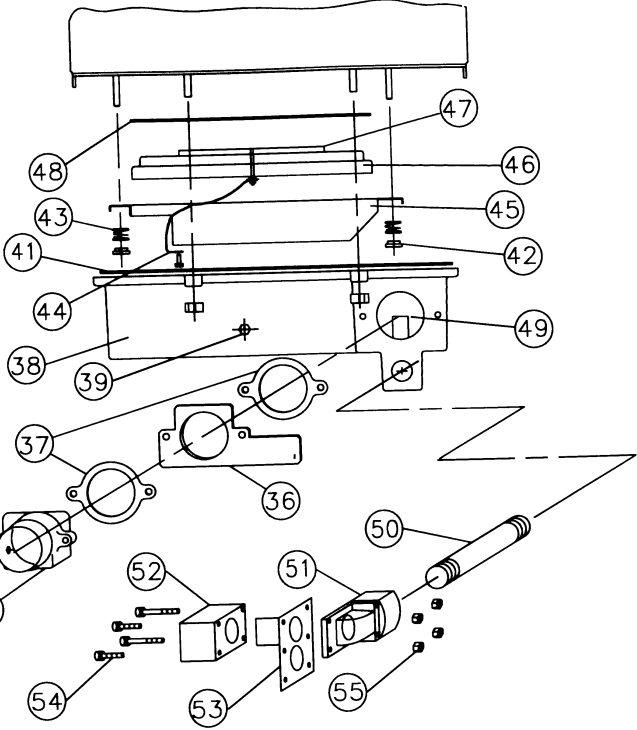
## Sealed Combustion Gas Boiler

### Exploded View

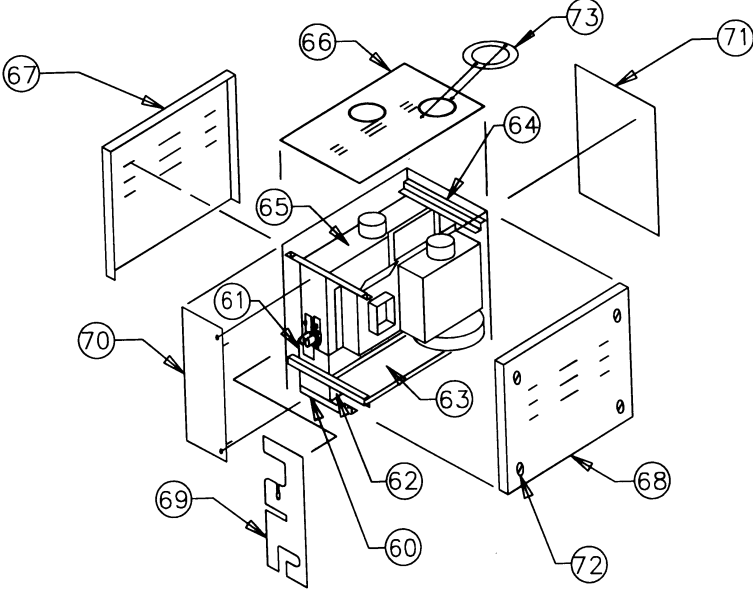
MECHANICAL CONTROLS & DEVICES



BURNER AND AIR / GAS SUPPLY COMPONENTS



BOILER SUPPORT AND JACKET PARTS

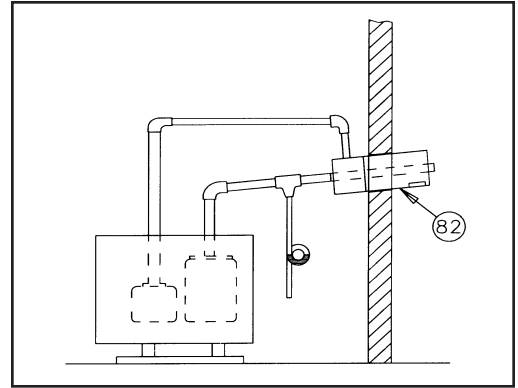


## OPTIONAL VENT SYSTEM PARTS AND KITS

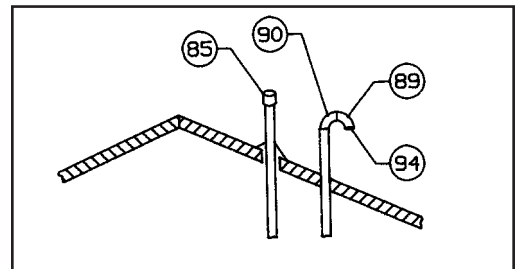
### 3" DIAMETER SAF-T VENT EZ SEAL SYSTEM (AL 29-4C STAINLESS STEEL)

Ref	Description	Slant/Fin Part #	Heat Fab Part # (EZ Seal)
82	Concentric Vent Terminal	665197	SF35CC-1
—	6" long vent pipe	455020	9301
—	12" long vent pipe	455021	9302
—	18" long vent pipe	455022	9304
—	24" long vent pipe	455023	9305
—	37-1/2" long vent pipe	455024	9307
—	Slip joint connector (6"-19")	455025	9324
—	45 Deg. elbow	455017	9311
—	90 Deg. elbow, tight radius	455018	9314
—	90 Deg. elbow, standard radius	455019	9314LR
—	In-line condensate drain	455027	9321
84	Screen Term. Tee	440683	7390TEE
85	Screen Term. Straight	660548	7392GC
—	Screen Term. Elbow	440678	7314TERM
—	Support, 6" Clearance	440679	7323GCC
—	Support, 2" Clearance	440692	7323GC2
—	Support Clamp	440680	4327SS
—	Firestop	440685	5318CI
87	3" x 5" Adapter	660549	73FINADP

### Horizontal Venting Concentric Vent Terminal Kit Part No. 665197 Ref # 82



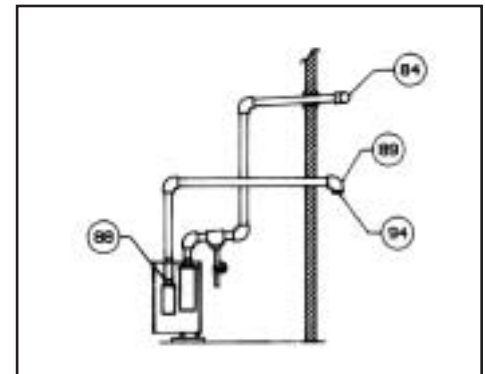
### Vertical Venting Roof Termination Kit Part No. 665192 Includes Ref # 85, 86, 89, 90, 94



## SEALANTS FOR VENT SYSTEM

86	GE-RTV 106, 3 oz. tube	440690
—	Dow-Corning 732, 3 oz. tube	440691
—	Dow-Corning 732, 10 oz. cartridge	440693

### Horizontal Venting Separation Kit Part No. 665193 Includes Ref # 84, 86, 89, 94



## 3" PVC FOR AIR INTAKE SYSTEM

88	Coupling (sewer and drain)	660571
89	90° Elbow (Schedule 40)	660577
90	90° Street Elbow (Schedule 40)	660578
94	3" Air Inlet Screen (stainless)	660236

## MISCELLANEOUS PARTS

—	Wall Passage Thimble*	440695
---	-----------------------	--------

\* Not needed where concentric vent terminal used. Does require use of a slip-joint connector for vent passage.

### Chimney and "B" Vent Adapter Kit Part No. 665194 Includes Ref # 86, 87, 5A

