



Direct Vent • Gas-Fired • Hot Water • Cast Iron Series

# PRODIGY 21™

## BOILER REPLACEMENT PARTS LIST

### For Model KC

When ordering replacement parts, specify the boiler model number, serial number and gas by name (natural or propane).

Parts are available from your local Slant/Fin heating contractor and wholesaler or Slant/Fin Corporation.

Ref	Description	KC-45	KC-90
1	Gas Valve-RS7200 Dern	650581	650581
2	Gas Valve Bias Tubing	650594	650594
3	Circulator Pump	650651	650651
4	Barbed Fitting-Hose	650600	650600
5	Exp. Tank Connect Tube	650616	650616
6	LWCO Clamp	650579	650579
6	LWCO Device	651301	651301
7	Expansion Tank	650536	650539
8	Pressure Switch	651302	651302
9	Well Assembly-Bulb	650565	650565
10	Automatic Air Vent	650544	650544
11	Pressure Relief Valve	650550	650550
12	Temp/Press Gage	430140	430140
13	High Limit Temp Control	650564	650564
14	Tubing-Press. Sw. Lowside	650593	650593
15	Service Fitting 1/8" N.P.T.	660530	660530
16	Tubing-Press. Sw. Highside	650592	650592
21	Blower	650528	650528
22	Blower Adapter Hose	650549	650549
23	Blower Mount Plate Gasket	650917	650917
24	Exhaust Tube Insulation - 18"	650609	650609
25	Hi-Temp Silicon 3 oz.	440691	440691
26	Insulation Strap	650610	650610
27	Exhaust Tube-Elbow- 24" long	650525	650525
28	Exhaust Tube-Straight - 36" lg	650510	650510
29	Air Intake Tube-24" long	650614	650614
30	Air Intake Tube-Elbow	650547	650547
31	Vent Terminal	650843	650843
32	Filter Box Receptacle	650542	650542
32	Filter Box Retainer	650543	650543
32	Filter Box Wing Screw	650541	650541
33	Air Intake Tube-11-3/8"	650613	650613
34	Air Filter	650524	650524
35	Air Intake Tube-Coupling	650548	650548
36	Air Intake Tube - 36" lg.	650518	650518

Ref	Description	KC-45	KC-90
37	Exhaust Tube Insulation - 36"	650612	650612
41	Gas Orifice Tube - Natural Gas	650822	650824
41	Gas Orifice Tube - L.P. Gas	650671	650672
42	Air Orifice	650015	650102
42	Air Orifice Gasket	650506	650506
43	Ceramic Burner	650509	650517
44	Burner Gasket Strip	650588	650588
45	Burner Gasket Seal	650511	650513
46	Flame Sensor Rod	650615	650516
47	Hot Surface Ignitor	650595	650519
48	Hold-Down Bracket	650704	650704
48	Hold-Down Bracket Gasket	650912	650912
50	Ignitor Bracket	650705	650705
51	Ground Rod (thru side)	650605	650605
51	Ground Rod (thru burner)	660503	660503
52	Burner Mounting Strip	650512	650512
53	Burner Enclosure Seal	650522	650522
54	Burner Enclosure	650530	650514
55	Mixing Elbow	650504	650504
61	Wiring Harness-Blower Board	650561	650561
62	Wiring Harness-4 Pin Power	650630	650630
63	Electronic Control Board	650558	650558
64	Wiring Harness-9 Pin Safety	650629	650629
65	LED Panel	650559	650559
66	Wiring Harness-LED Panel	650562	650562
67	Blower Optical Board	650560	650560
---	Boiler Front Cover (BLACK - for other colors, contact factory)	650534	650534
---	LED Window Plug	650551	650551
**	Optional Vent Kit	650617	650617
*	Standard Vent Kit	650545	650545
---	Calibration Gage Kit	665185	665185
---	Service Fitting Adapter	660533	660553

\* Standard Vent Kit Includes Items #24, 25, 26, 27, 29, 30, 31,33 and 35.

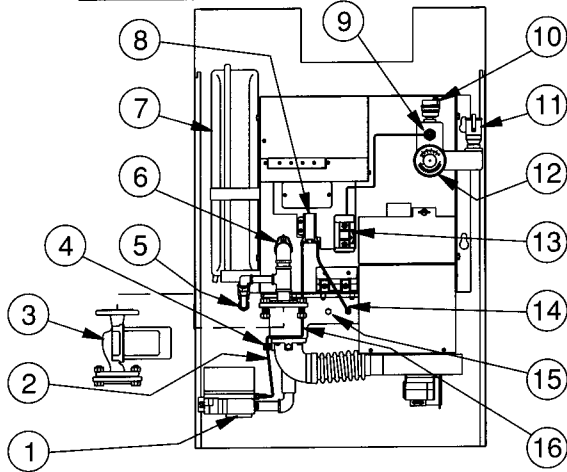
\*\* Optional Vent Kit Includes Items #26, 28, 35, 36 & 37. - 3 ft. sections. Order one optional vent kit for each 3 ft of vent length needed (up to 10 ft. max. permitted).

**This parts list must be left with owner, hung on or adjacent to the boiler. Owner should retain parts list for future reference.**

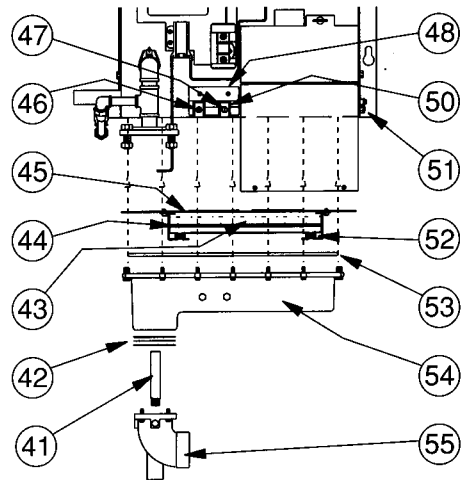
SLANT/FIN, 100 FOREST DR. GREENVALE, NY 11548  
(516) 484-2600/FAX: (516) 484-5921  
Printed in USA 298 **PUBLICATION P-10PL**  
Part No. 65-0648 Rev. C

# PRODIGY 21™

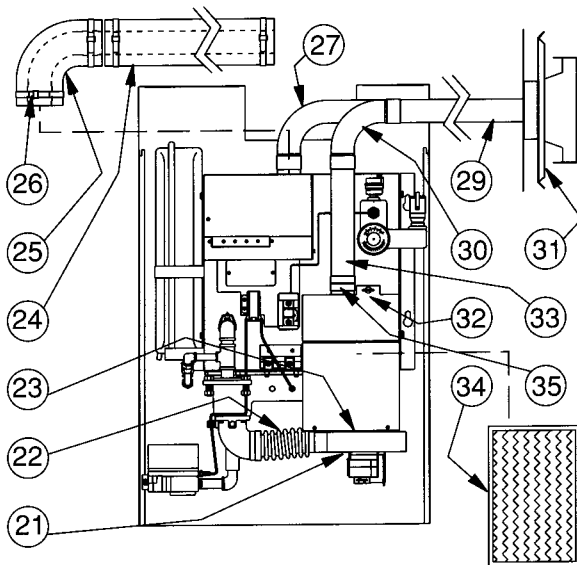
## Mechanical Controls & Devices



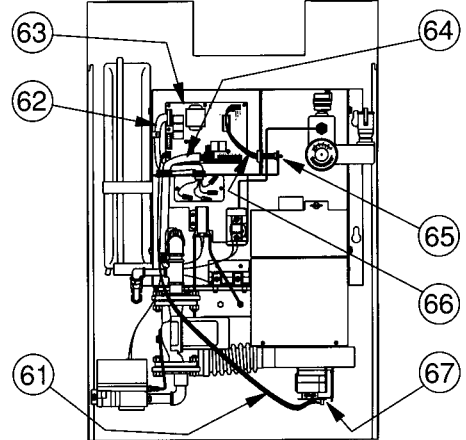
## Burner Components



## Air Supply & Venting Components

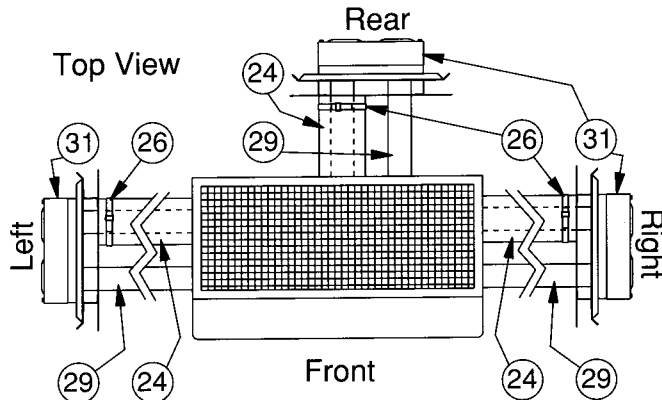


## Wiring Components & Harnesses



## Optional Vent Positions

Vent Terminal Can Be Installed Right Or Rear, As Shipped From Factory. Re-Assemble Vent Terminal Internal Divider Per Instructions For Left Side Installation.



**Slant/Fin®**