

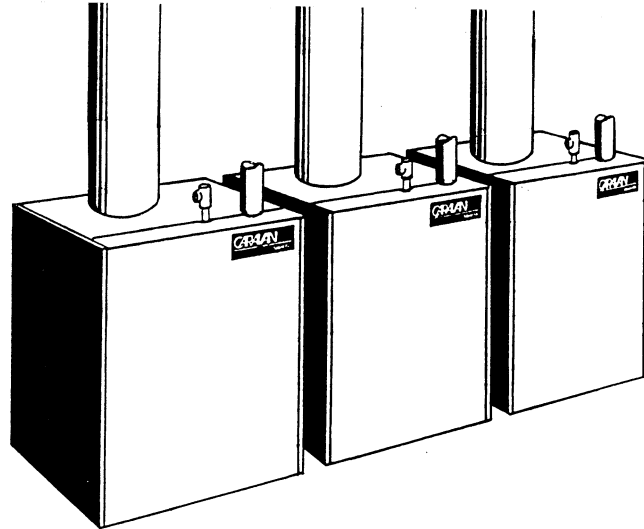
Slant/Fin®

CARAVAN®

Modular Boiler Submittal Data

GXHT SERIES—Gas-fired/Steam

A Caravan modular boiler system consists of two or more compact cast-iron boilers that offer significant advantages in terms of installed cost, efficiency and reliability. Caravan systems are based on step-firing just enough modules to meet heating demands. GXHT systems are available in 600,000 to multi-million Btuh gross input. For additional information, see Caravan Engineering Manual, pub. C-30.



Standard Equipment

One per module unless otherwise noted

Pre-assembled cast-iron heat exchanger with insulated jacket.

Base.

Flue Collector.

Gas burners, gas orifices and manifold assembly.

Combination gas valve including manual shutoff and pressure regulator.

System pressure gauge and siphon (unmounted, one per system).

Module pressure gauge and siphon (unmounted).

Module pressure gauge and siphon (unmounted).

Module pressure relief valve (ASME)

(unmounted). 15 psi.

Draft hood (unmounted).

Drain cock (unmounted).

Water level sight glass (unmounted).

Spark ignition system.

Optional Equipment

Vent dampers.

Internal tankless heater.

ASME Package—includes:

MM PS-802 Low water cutoff (67 if tankless coil is used) (one per module)

PA404A Pressure control (one per mod.)

ASME REQUIRED STEAM SYSTEM CONTROLS (One per bank)
Order Separately.

67M Low water cutoff (one per system)

L4079B Manual reset pressure control (one per system)

Ratings

Gas Caravan ratings and dimensions/steam models — GXHT Series

Model No.*	No. of Modules	Ratings for Natural and L.P. Propane Gases						Boiler Water Content (gal.)	Weight with Water	Recommended Header Size
		CSA			AHRI					
		Input MBH	Gross Output MBH	Thermal Combustion Efficiency	Net Output MBH †	Sq. Ft. Steam ‡	Horsepower			
GXHT-600HZ ¶	2	600	478	81.00	358	1492	14.78	16.8	1215	3"
GXHT-900HZ ¶	3	900	717	81.00	537	2238	21.42	25.2	1805	3"
GXHT-1200HZ ¶	4	1200	956	81.00	716	2983	28.56	33.6	2395	5"
GXHT-1500HZ ¶	5	1500	1195	81.00	895	3729	35.70	42.0	2985	6"

FOR LARGER SIZES, USE MULTIPLES OF THE ABOVE.

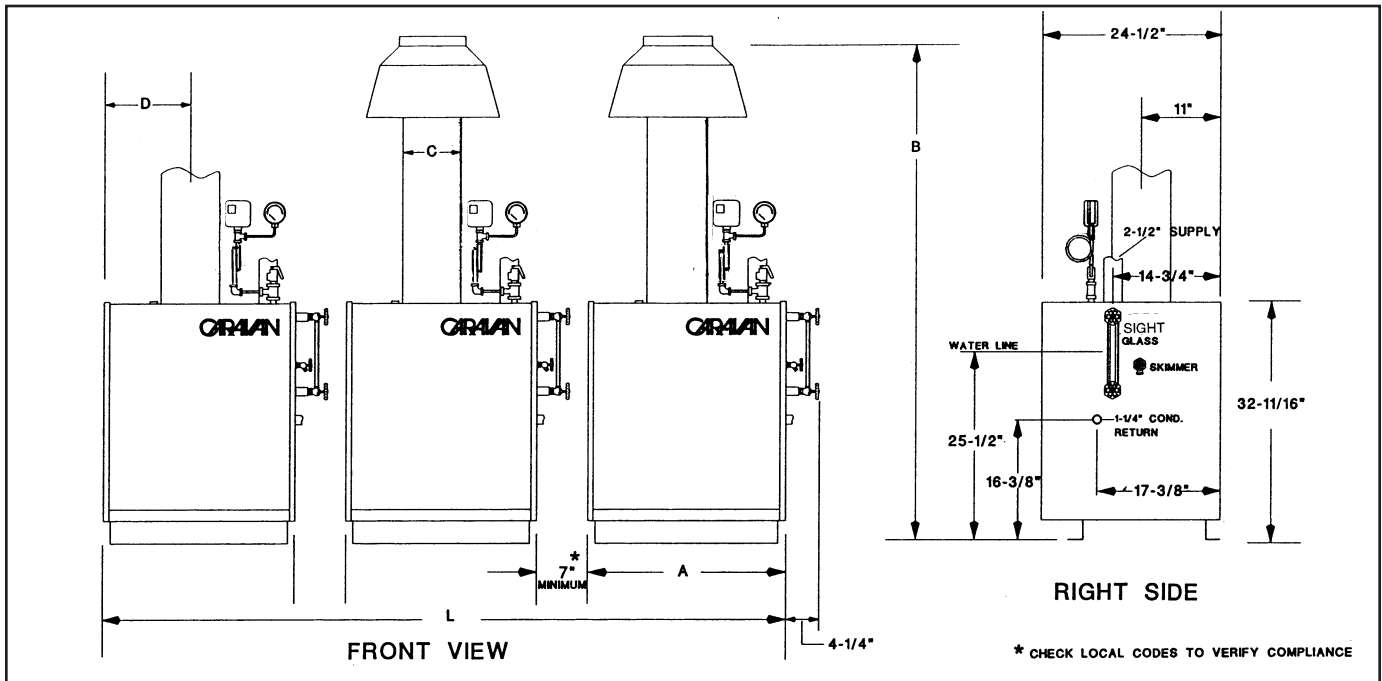
† Net ratings are based on piping and pick-up allowance of 1.33. Slant/Fin should be consulted before selecting a boiler for installation having unusual piping and/or pick-up requirements. Ratings must be reduced by 4% at 2,000 feet elevation and additional 4% for every additional 1,000 feet elevation over 2,000 feet.

‡ Net ratings in square feet based on emission rate of 240 Btuh/sq.ft. at 215°steam temperature.

¶ For use with natural gas. For L.P. Propane consult factory.

Modules in excess of 5 should be piped in parallel in two or more banks.

Dimensions



Model No.	Dimensions*				
	A	B	C	D	L
GXHT-600HZ-2	26 ¹ / ₁₆ "	59 ¹ / ₁₆ "	9"	11 ¹⁷ / ₃₂ "	4'-11 ¹ / ₈ "
GXHT-900HZ-3	26 ¹ / ₁₆ "	59 ¹ / ₁₆ "	9"	11 ¹⁷ / ₃₂ "	7'-8 ³ / ₁₆ "
GXHT-1200HZ-4	26 ¹ / ₁₆ "	59 ¹ / ₁₆ "	9"	11 ¹⁷ / ₃₂ "	10'-5 ¹ / ₄ "
GXHT-1500HZ-5	26 ¹ / ₁₆ "	59 ¹ / ₁₆ "	9"	11 ¹⁷ / ₃₂ "	13'-2 ⁵ / ₁₆ "

* Inches, except "L" which is feet/inches.

Design Data

Max. ASME Working Pressure: 15 psi
 Power Requirements: 120 volts, 60 HZ,
 .34 amps per module



©Slant/Fin Corp. 2013. Printed in the U.S.A. 313. Publication No. C-10-MGS

SLANT/FIN CORPORATION, Greenvale, N.Y. 11548 • Phone: (516) 484-2600
 FAX: (516) 484-5921 • Canada: Slant/Fin LTD/LTEE, Mississauga, Ontario

www.slantfin.com