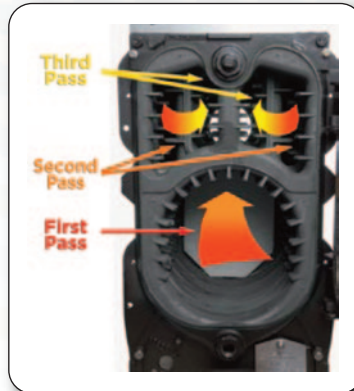


Q3 SERIES

Environmentally Friendly, High Efficiency, 3-pass Cast-Iron Oil Boiler!

ADVANCED 3 PASS DESIGN HEAT EXCHANGER

The 3-pass design is what makes the boiler extremely quiet and efficient. Popular in large commercial boilers, this design maximizes heat transfer, increases efficiency due to increased surface area that the flue gasses come in contact with, and keeps it there longer. This results in low stack temperatures, indicating high efficiency. There is at least 6 lineal feet and at least 11 square feet of surface area to ensure generous heat transfer. A.F.U.E. is 87%. The extra room in the boiler passageways provides for thermal expansion of the flue gasses, making this boiler extremely quiet.



**Controls
beneath easy
lift-off top!**



- Quiet, Energy Star Certified Oil Boiler
- High Limit Control with:
 - Easy-to-program dial settings
 - Boiler Water Temperature Reset
 - Low Water Cut Off functionality
- Compact Footprint
- Direct Vent Available (for 3 sizes)
- Metal Push Nipples
- Multiple Venting Options
- Easy to Service
- Factory Mounted Service Switch
- Flexible oil line combined with easy access heat exchanger with dual hinge swing door (right or left mount option)
- Wide flue-ways for easy cleaning
- Sight glass for flame observation
- Removable 1/4" test port for draft overfire reading



UNITED STATES
DEPARTMENT OF ENERGY

2021 DOE COMPLIANT
with Energy Conservation Program





Q3 SERIES

Oil-Fired High Efficiency 3-Pass Hot Water Energy Star Boiler

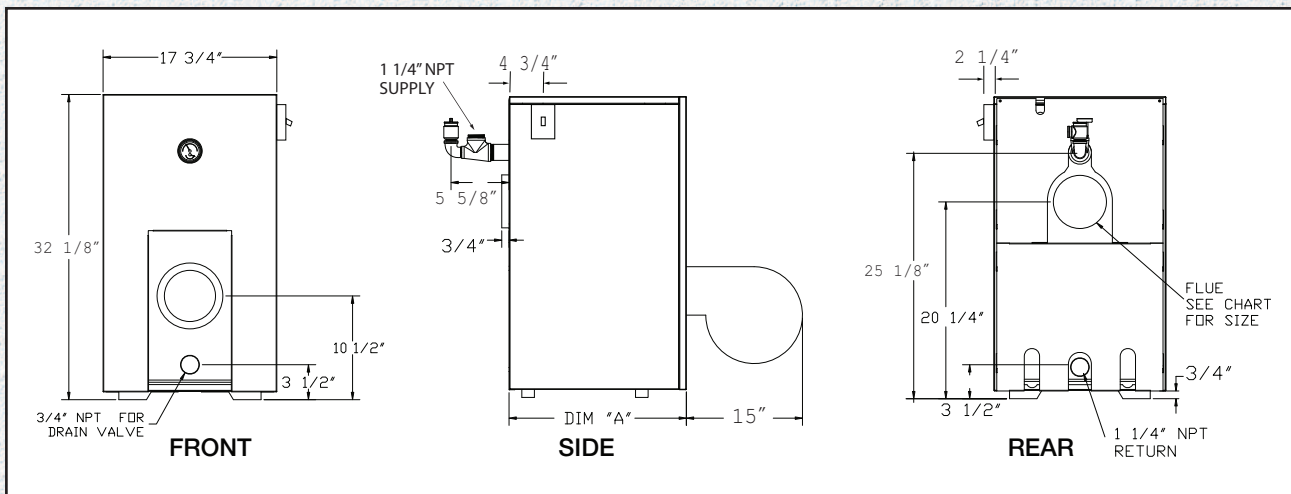
Model	No. of Sec.	Boiler Input Rate (MBH)	Heating Capacity (MBH)	Net AHRI Rating, Water (MBH)	Chimney Size	Boiler Flue	Firing Rate (GPH)	AFUE %
Q3-4*	4	105	92	80	8" x 8" x 15'	5" (13 cm)	0.75	87.0%
Q3-5*	5	140	123	107	8" x 8" x 15'	5" (13 cm)	1.00	87.0%
Q3-6*	6	182	160	139	8" x 8" x 15'	5" (13 cm)	1.30	87.0%
Q3-7	7	231	202	176	8" x 8" x 15'	6" (15 cm)	1.65	87.0%

All above models are Energy Star Certified
 MBH = 1000 Btu/hr (British Thermal Units Per Hour). Heating Capacity and AFUE based on 13.1% CO₂ (13.2% CO₂ at 1.65 GPH), -0.02" w.c. draft in breech, and # 1 smoke or less. Testing is done in accordance with U.S. DOE (Department of Energy) test procedure. Net AHRI ratings shown are based on piping and pickup factor of 15% in accordance with AHRI Standard as published by Hydronics Institute. Contact Technical Support before selecting boiler for installations having unusual piping and pickup requirements, such as intermittent system operation, extensive piping systems, etc
 GPH = Gallons per hour

***Available to order with Direct vent burner and with added Vent terminal kit.**

Connections: Return/Supply Water 1-1/4" NPT
 Electrical: 120 Volts AC, 60 hertz, 1 phase, Less than 12 amps (15 amp circuit recommended)
 Water Content: Q3-4 - 3.6 Gallons, Q3-5 - 4.3 Gallons, Q3-6 - 5.1 Gallons, Q3-7 - 5.9 Gallons
 Standard Equipment: Boiler control module: Hydrolevel Fuel Smart HydroStat Control-combination Low-Water Cut off with boiler temperature reset and circulator control.
 Riello Burner Standard.

Dimensions/Weights		
Models	Dim "A"	Ship Weight
Q3-4	18-3/8" 46 cm	436 lbs. (197.8 kg.)
Q3-5	21-5/8" 56 cm	496 lbs. (225.0 kg.)
Q3-6	24-7/8" 64 cm	560 lbs. (254.0 kg.)
Q3-7	28-1/8" 72 cm	620 lbs. (281.2 kg.)



All ratings and specifications subject to change.



Slant/Fin Corporation • 100 Forest Drive, Greenvale, NY 11548 • 516-484-2600 • www.slantfin.com

©2020 Slant/Fin Corp. • Publication Q3-10 • Printed in U.S.A. 0120