

Slant/Fin

Revital/Line[®] XL

Aluminum Baseboard Replacement Cover

Use to Revitalize your Aging Hydronic Baseboard!

Before You Order: Measure and Preparation

Important to wear safety glasses and gloves before removing old front panel, damper and accessories.

1. Remove existing baseboard End Caps and Inside Corner Pieces. (Figure 1).
2. Measure top to bottom of element, and end to end, and measure depth from wall to floor of bracket with a tape measure. (Figures 2,3)



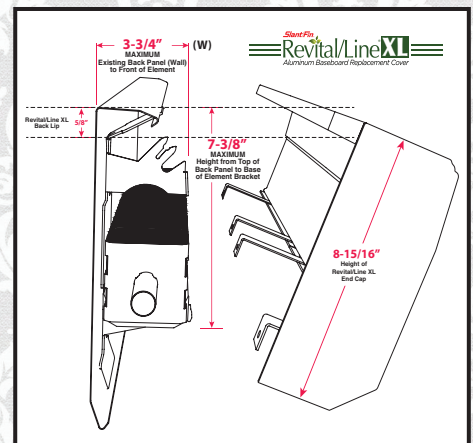
Figure 1



Figure 2



Figure 3



Now you're ready to order your Revital/Line XL[®] Replacement Covers. Go [HERE](#) to purchase from our selected distributors.

3. Remove the old baseboard Front Panel Cover by lifting from the bottom to unhook from the bracket. Remove damper by either sliding off from open end or by holding at each bracket point and snapping off from the pivot. (Figures 4,5).
4. If the old baseboard length is the same as a standard length Revital/Line XL[®] Cover, use the standard length Revital/Line[®] Cover and Solid End Caps.

All of the accessories are installed without tools by placing them over the Revital/Line XL[®] Cover, once the cover is in place. When more than one cover is used, the seam between the covers can be hidden by using one of the filler sleeves (2", 4", 7" or 14"). All accessories are sold separately.

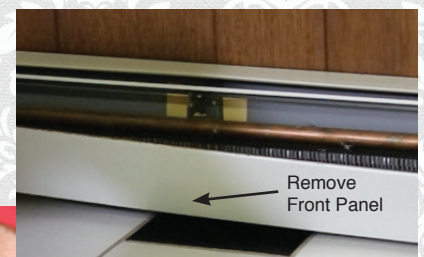


Figure 4



Figure 5

From the World's Leader in Baseboard Heaters Since 1949! • www.slantfin.com

Slant/Fin
BOILERS & BASEBOARD
We Build Trust and Comfort

5. If the old baseboard cover length is a different size from a standard length Revital/Line XL® Cover, install the standard length Revital/Line XL® Cover sections together until you get the same length as the old baseboard cover. If you need additional length, you can add a 2", 4", 7" or 14" filler sleeve. Since the filler sleeves are telescoping, they will fill in less than their dimension size. Other accessories are available to finish your installation (Figure 6).
6. You may need to loosen the old baseboard from the wall in order to slip the Revital/Line XL® Cover behind it by loosening the screws that hold the old back panel onto the wall. If the existing back panel is sealed to the wall by paint, the seal to the wall can be broken with putty knife or similar tool.
7. When using support Brackets, position new assembled cover with wall brackets below piping, then lift into place so that top lip of new Cover goes behind back panel of the old baseboard.
8. Care should be exercised to insure that it isn't scratched or damaged while pressing it into place behind old baseboard back panel. Join covers, as described in step 4.

Attach accessories chosen to Revital/Line XL® Cover, as in step 4. For added support, attach brackets with SPX #10 self-drilling screws provided into the old baseboard back panel using an electric drill with a 5/16" Hex Head Bit. (See Figure 9).



Figure 6

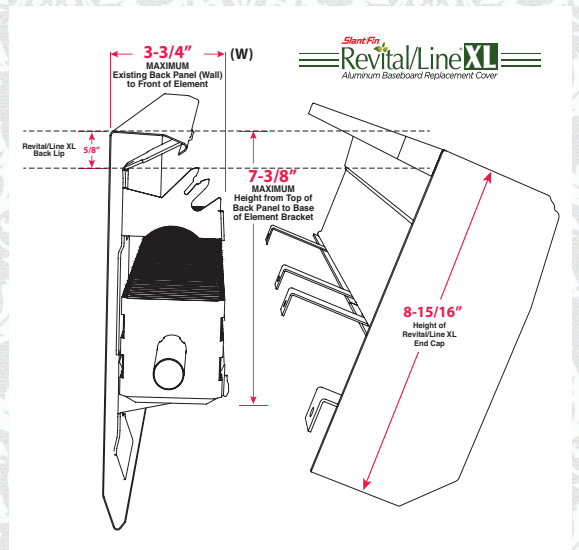


Figure 8

*Metal brackets are needed only when existing cover has no heating element. Use the metal wall Support Brackets supplied with Revital/Line XL® by sliding brackets into bottom slot of Revital/Line XL® Cover until they are in the position desired to space the Revital/Line XL® Cover from the wall. See below for quantities of spacers and brackets included.

Revital/Line XL® Cover length: 2' to 3-1/2' 4' to 5' 6' to 8'

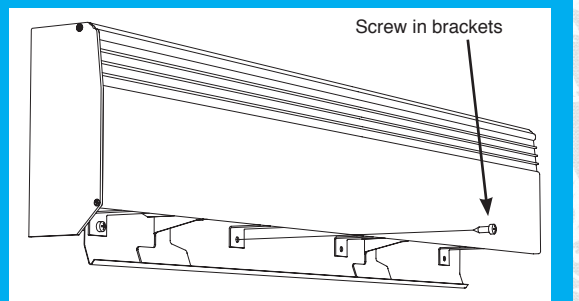


Figure 9

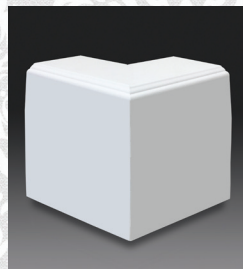
REVITAL/LINE XL ACCESSORIES



End Cap
2' & 4" (Right & Left)



Inside Corner
90° & 135°



Outside Corner
90° & 135°



Filler Sleeve

